

Wind hoods and Light traps

We provide custom wind hoods & light traps for wall inlets.

These traps are made of high quality polyethylene and are UV resistant.

The material is weather resistant and easy to clean and install. Simply attach the sheets with spacers between each sheet and build light traps in any size you need.

Light traps are also usable with tunnel inlets.



[INFO](#)

[DATASHEET](#)

[ASSEMBLY](#)

[MOUNTING](#)

[WORKING](#)

[MAINTENANCE](#)



LIGHT TRAPS

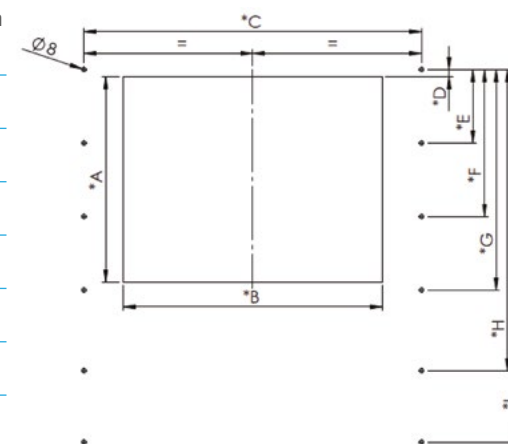
Model	W	H	D
TPI-933G (E) model 145	690 mm / 27.16"	310 mm / 12.20"	235 mm / 9.25"
TPI-931G (E) model 1800	575 mm / 22.64"	445 mm / 17.52"	235 mm / 9.25"
TPI-934G (E) model 3000	895 mm / 35.24"	413 mm / 16.26"	235 mm / 9.25"
TPI-932G (E) model 4000	740 mm / 29.13"	590 mm / 23.23"	235 mm / 9.25"
TPI-920 (for fan)	1000 mm / 39.37"	1000 mm / 39.37"	235 mm / 9.25"
TPI-921 (for fan)	1250 mm / 49.21"	1250 mm / 49.21"	235 mm / 9.25"
TPI-922 (for fan)	1400 mm / 55.12"	1400 mm / 55.12"	235 mm / 9.25"
TPI-924 (6000 VFG)	1500 mm / 59.06"	400 mm / 15.75"	235 mm / 9.25"
TPI-925 (6000 VFG-2)	1500 mm / 59.06"	1000 mm / 39.37"	235 mm / 9.25"
TPI-926 (6000 VFG-3)	1500 mm / 59.06"	1250 mm / 49.21"	235 mm / 9.25"
TPI-923 (6000 VFG-4)	1500 mm / 59.06"	1600 mm / 62.99"	235mm / 9.25"

*(E) extended flange available

WIND HOODS

Model	W	H	D	SUSPENSION BRACKETS	LIGHT TRAP
TPI-950 (145/135 serie)	844 mm / 33.23"	631 mm / 24.84"	257 mm / 10.12"	TPI-901	TPI-917-TR
TPI-951 (3000/2800 serie)	1100 mm / 43.31"	733 mm / 28.86"	368 mm / 14.49"	TPI-902	TPI-918-TR
TPI-952 (4000 series/Omniflux)	976 mm / 38.43"	939 mm / 36.97"	618 mm / 24.33"	TPI-903	TPI-919-TR
TPI-954 (1800 serie)	815 mm / 32.09"	770 mm / 30.31"	418 mm / 16.46"	TPI-904	TPI-916-TR
TPI-955 (Ventum/Aeron)	1366 mm / 53.78"	860 mm / 33.86"	358 mm / 14.09"	TPI-905	TPI-915-TR

	WH 145 (mm/in)	WH 1800 (mm/in)	WH 3000 (mm/in)	WH 4000 (mm/in)	WH Ventum
*A	280/11,02	705/27,76	385/15,16	575/22,64	350/13,78
*B	660/25,98	645/25,39	870/34,25	725/28,54	1140/44,88
*C	814/32,05	795/31,3	1080/42,52	945/37,20	1336/52,6
*D	20/0,79	-	20/0,79	20/0,79	20/0,79
*E	173/6,81	47/1,85	206/8,11	206/8,11	127,5/5,02
*F	346/13,62	253/9,96	412/16,22	412/16,22	317,5/12,5
*G	539/21,22	459/18,07	638 / 25,12	618/24,33	507,5/19,98
*H	-	685/26,97	-	844/33,23	697,5/27,46
*I	-	-	-	-	835,5/32,89



INFO

DATASHEET

ASSEMBLY

MOUNTING

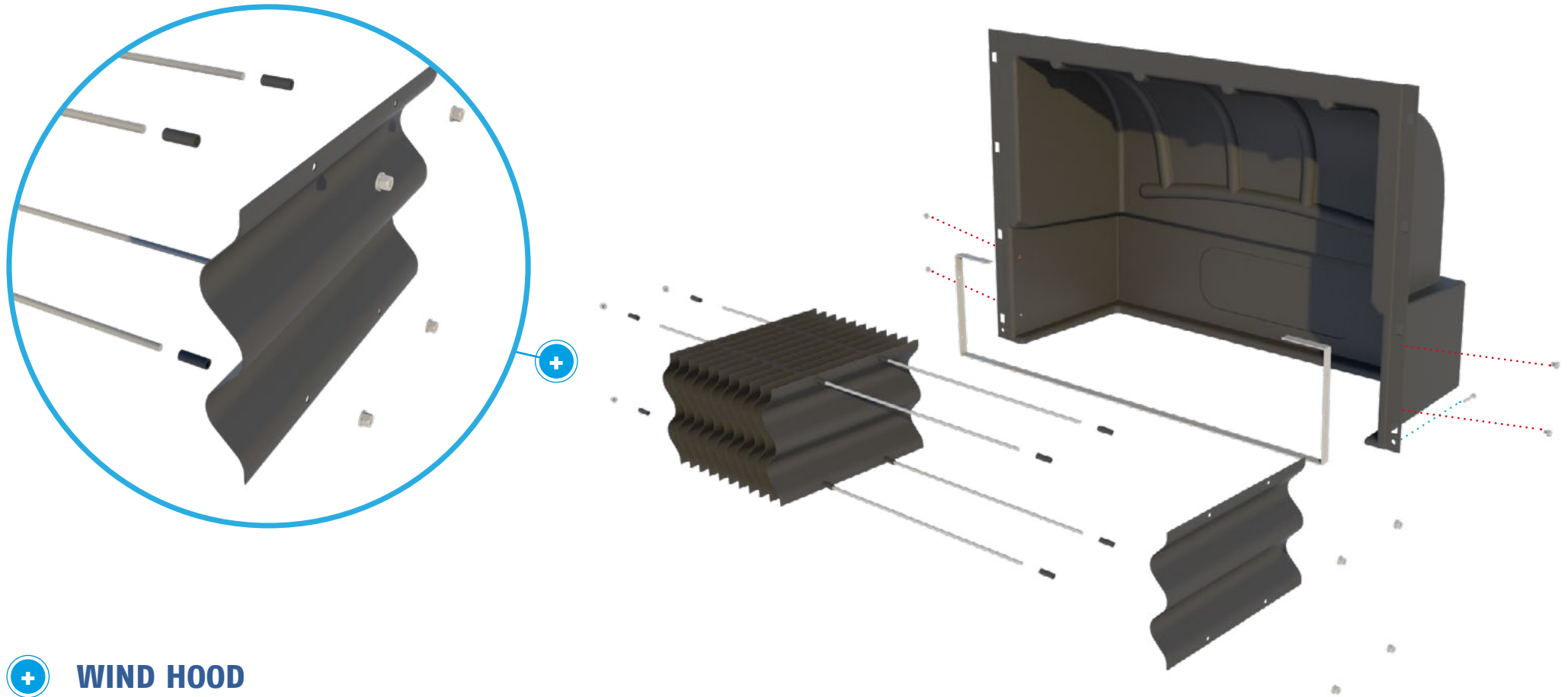
WORKING

MAINTENANCE



Wind hoods and Light traps

ASSEMBLY



 **WIND HOOD**

 **LIGHT TRAP**

INFO

DATASHEET

ASSEMBLY

MOUNTING

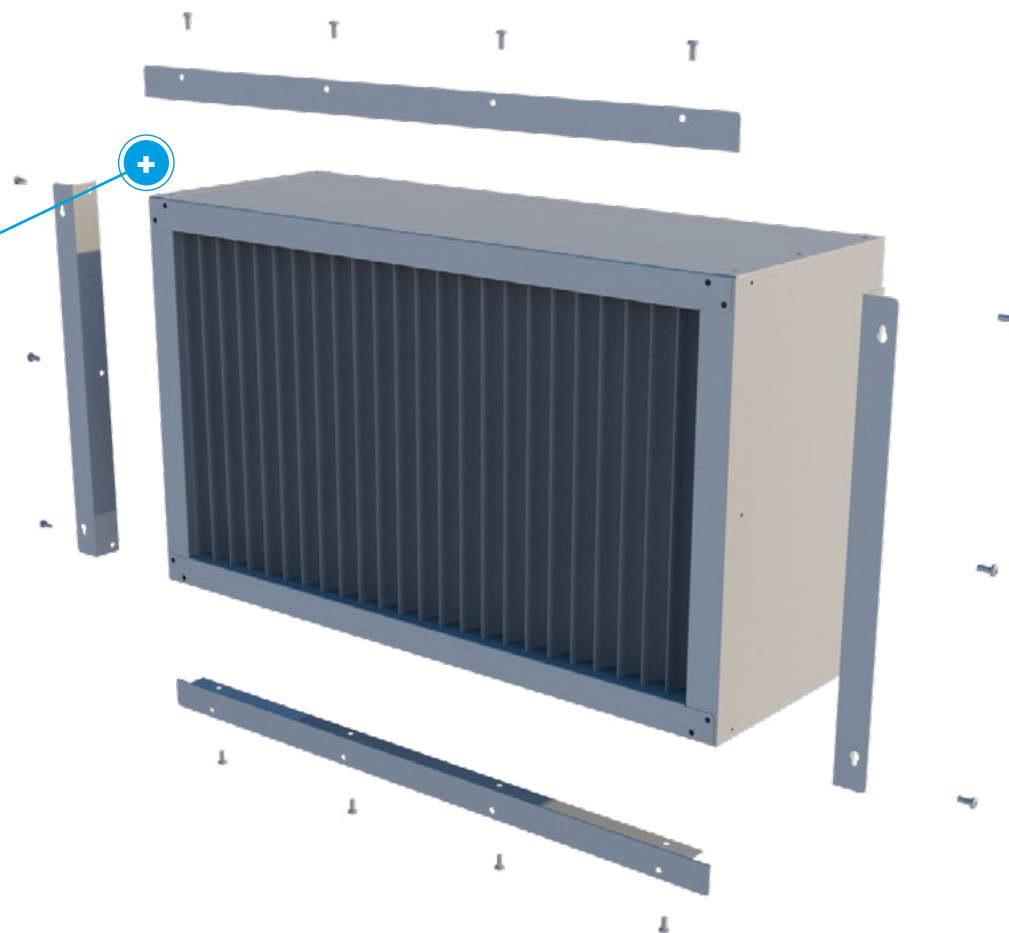
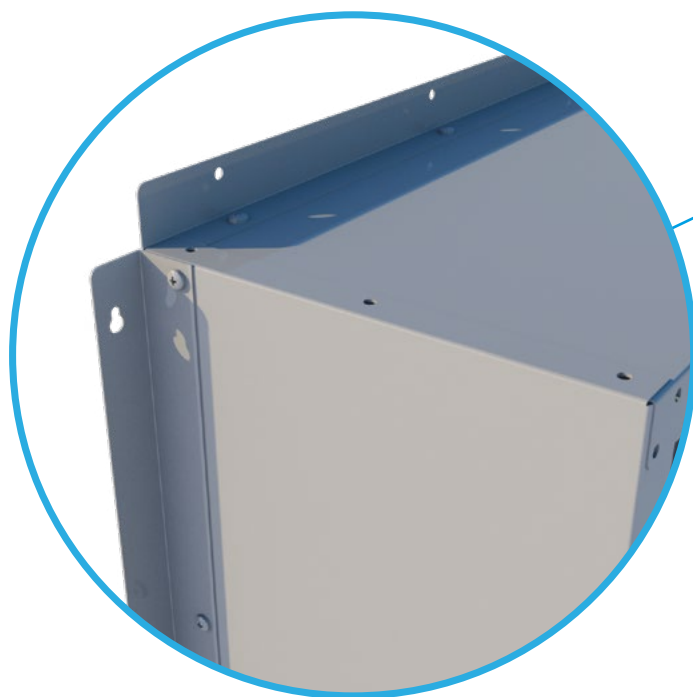
WORKING

MAINTENANCE



Wind hoods and Light traps

ASSEMBLY



 WIND HOOD

 LIGHT TRAP

INFO

DATASHEET

ASSEMBLY

MOUNTING

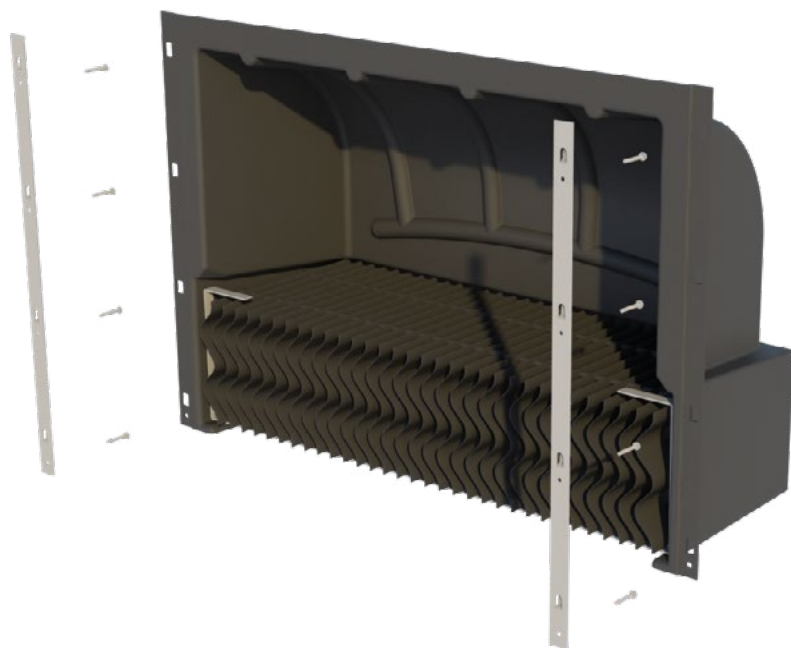
WORKING

MAINTENANCE



Wind hoods and Light traps

MOUNTING



The wind hood is kept in place by two screws in the bottom of the suspension brackets. These screws are fastened after the wind hood is suspended from the brackets.

[INFO](#)

[DATASHEET](#)

[ASSEMBLY](#)

[MOUNTING](#)

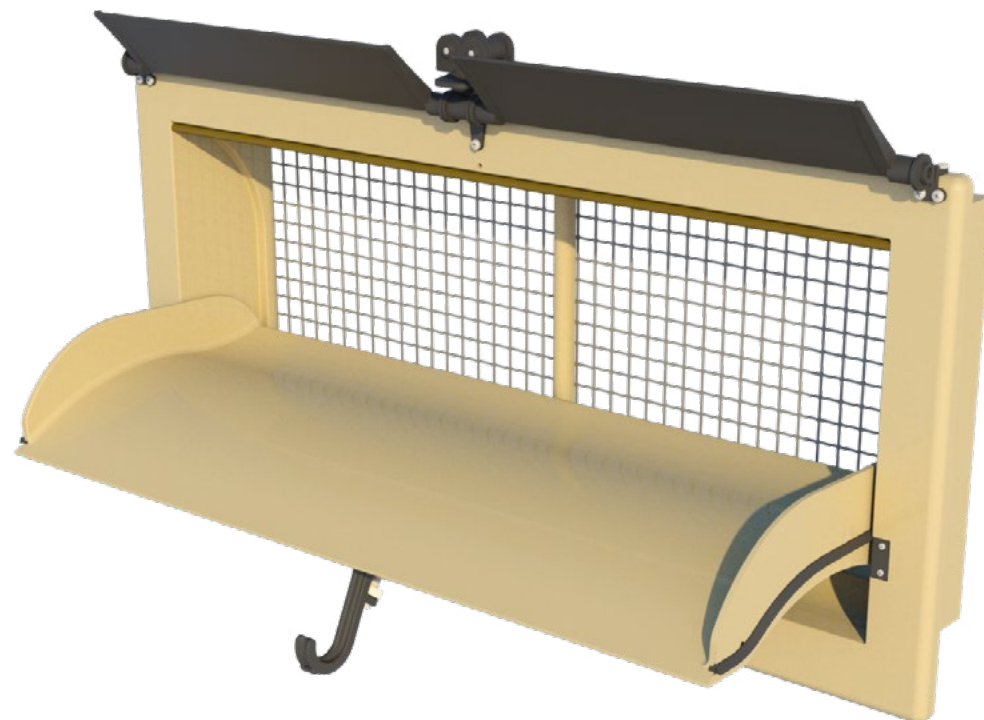
[WORKING](#)

[MAINTENANCE](#)



Air guides

Air guides are available for almost all inlets in our program. Our light weight air guides are produced out of black PVC. Assembly in combination with our centrally controlled inlets is very easy. Simply attach the flaps onto the central pulley. Then attach the side mounts and screw these onto the flange of the inlet. After that adjust the flaps to the desired position and you're good to go. For inlets with side arms, attach the two mounts to the flap and mount them onto the flange of the inlet.



INFO

DATASHEET

ASSEMBLY

MOUNTING

WORKING

MAINTENANCE





Air guides DATASHEET



AIR GUIDES

Model

TPI-790	Air Guide 135/145 Series	PVC
TPI-790-C	Air Guide 135/145-C Series	PVC
TPI-791-C	Air Guide 1800-C Series	PVC
TPI-792	Air Guide 2800 Series	PVC
TPI-793-C	Air Guide 3000-C Series	PVC

Model

TPI-794-C	Air Guide 4000-C Series	PVC
TPI-796	Air Guide 6000 Series	PVC
TPI-796-C	Air Guide 6000-C Series	PVC
TPI-797	Air Guide Ventum Series	PVC

INFO

DATASHEET

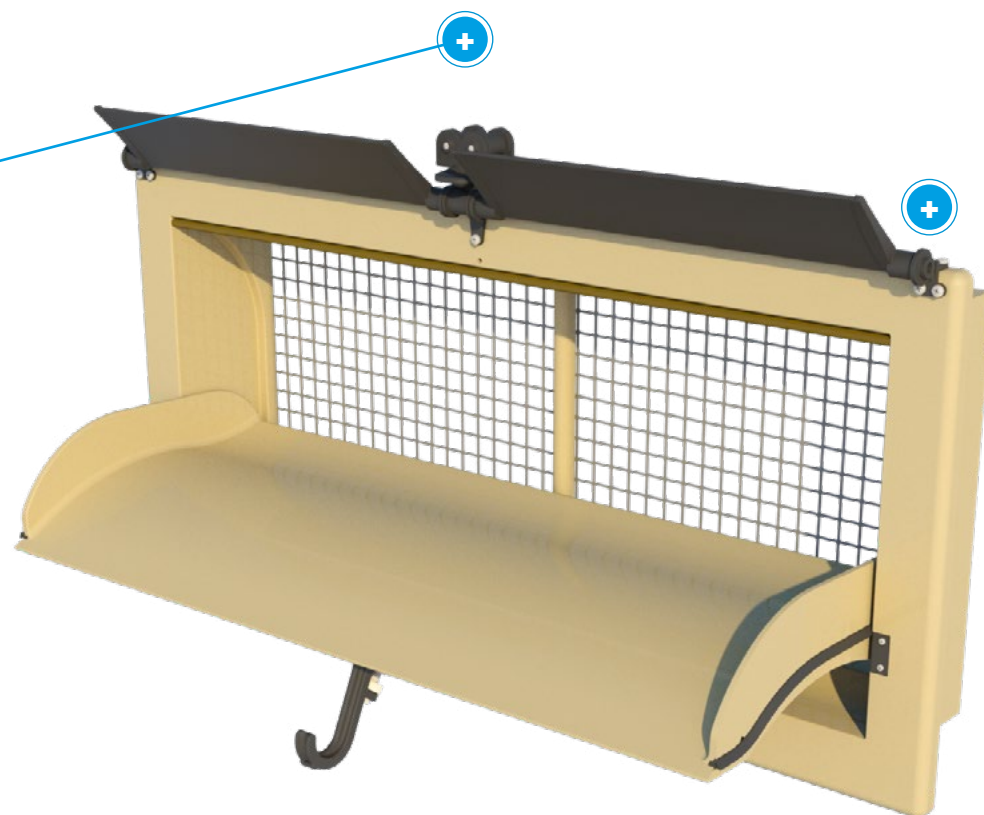
ASSEMBLY

MOUNTING

WORKING

MAINTENANCE





INFO

DATASHEET

ASSEMBLY

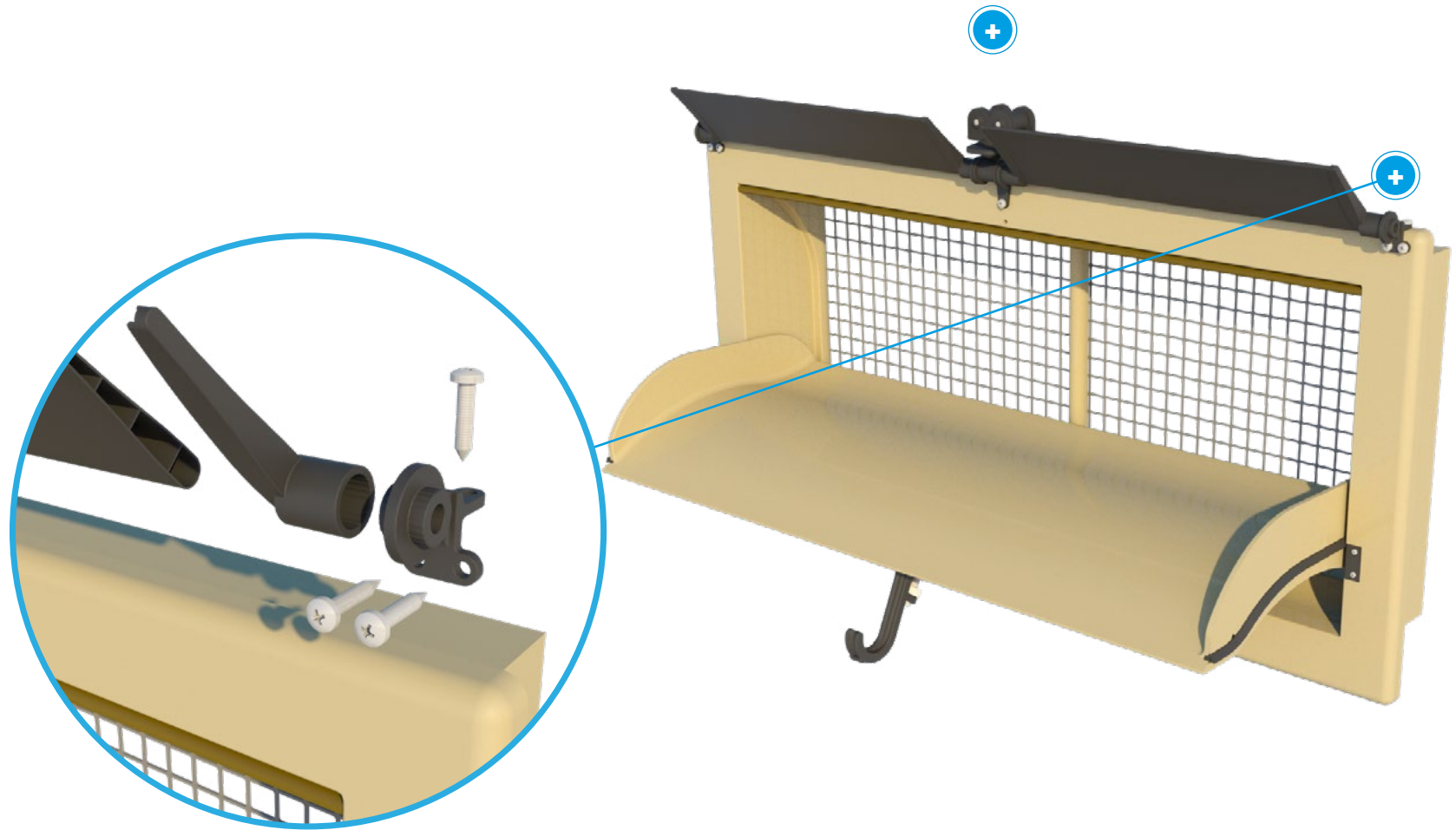
MOUNTING

WORKING

MAINTENANCE



Air guides ASSEMBLY



INFO

DATASHEET

ASSEMBLY

MOUNTING

WORKING

MAINTENANCE

