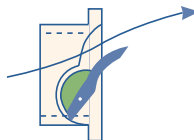
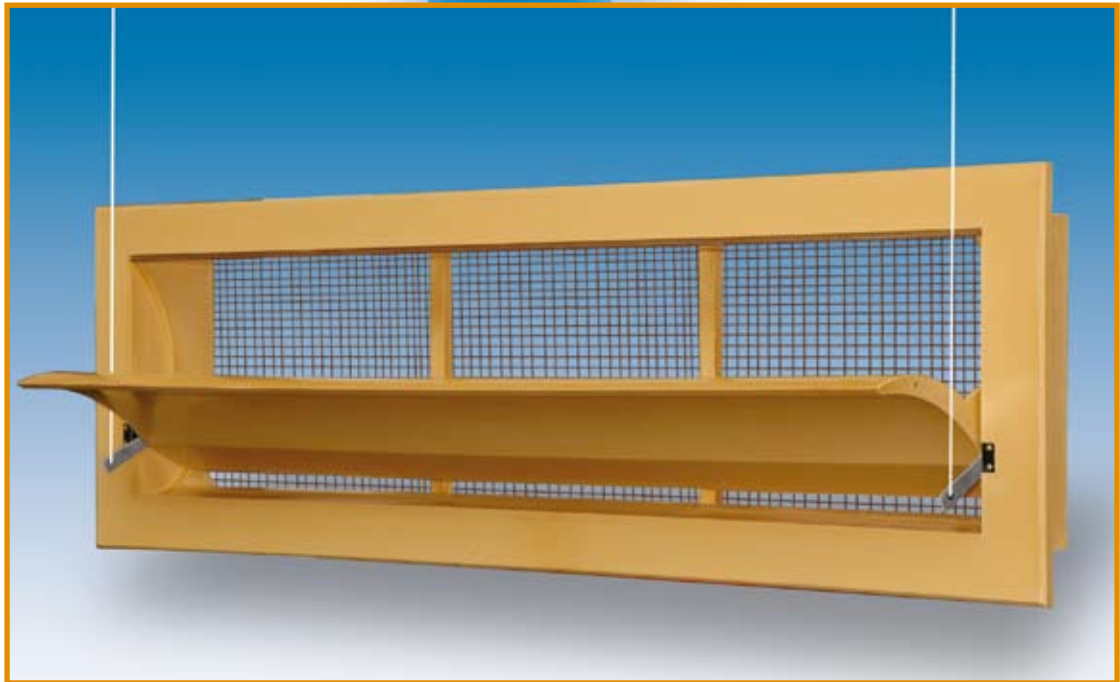


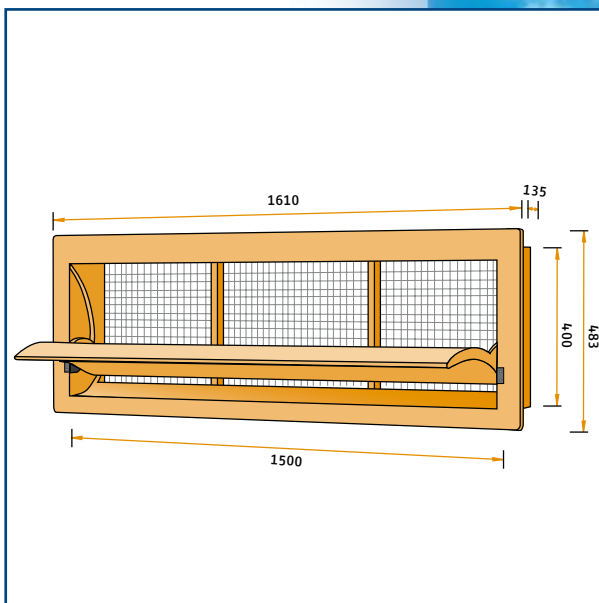
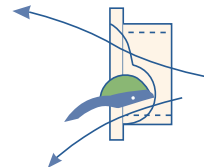
Model 6000-VFG

400660



Capacity in m³/hour at static pressure of:

MODEL	10Pa	25Pa	40Pa
6000-VFG	5800	8750	11600



Model 6000-VFG

Large air inlet valve made of high quality polyurethane foam. Flange model with flange on the front side. Specially designed for large ventilation capacities !

Inlet can be produced without bottom and/or top flange and than can be build together to a tunnel inlet unit.

De Waterman 4
5215 MX 's-Hertogenbosch, Holland
P.O. Box 2064
5260 CB Vught, Holland
Phone: +31 (0)73-656 91 94
Fax: +31 (0)73-656 69 33