

Model 4000-VFG

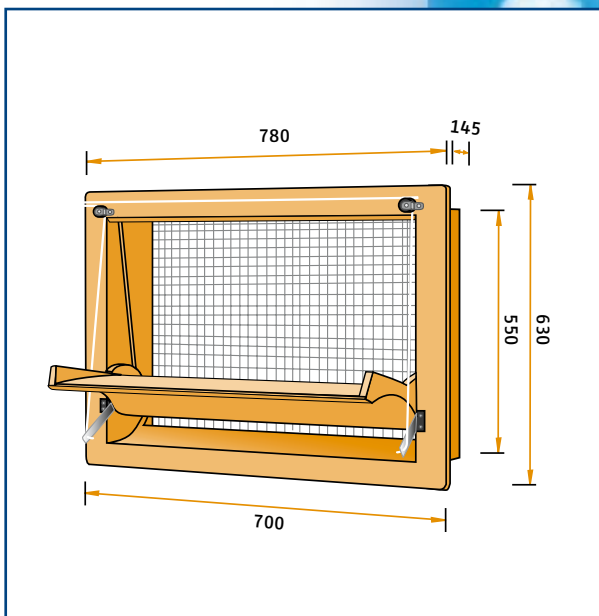
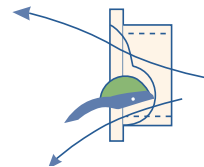
400240

NEW



Capacity in m³/hour at static pressure of:

MODEL	10Pa	20Pa	40Pa
4000-VFG	3900	5500	7800



Model 4000-VFG

Air inlet valve made of high quality polyurethane foam. Flange model with flange on the front side for almost all purposes. Divided air directions; up to approx. 25% air enters only from the upper side ; after that also from the bottom side. Model for large ventilation capacities however in combination with well-controllable minimum ventilation. Available with standard stainless steel arms on both sides or control bracket in the middle of the flap.

De Waterman 4
5215 MX 's-Hertogenbosch, Holland
P.O. Box 2064
5260 CB Vught, Holland
Phone: +31 (0)73-656 91 94
Fax: +31 (0)73-656 69 33

