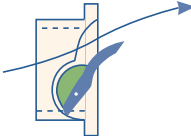


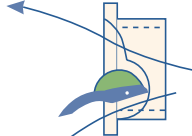
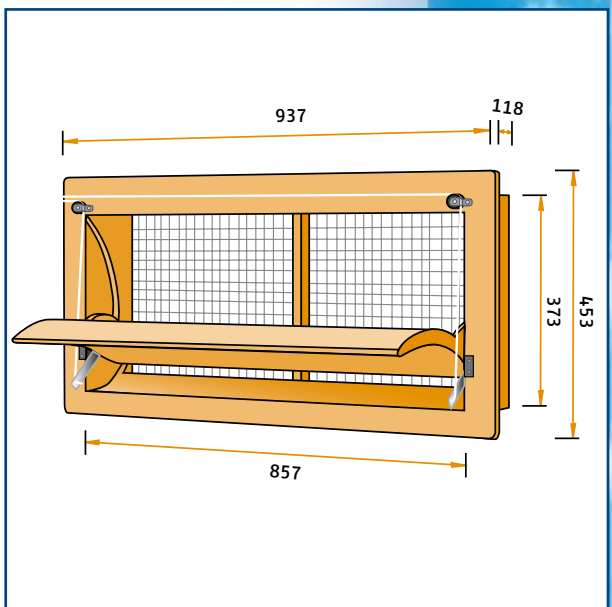
# Model 3000-VFG

400213N

Capacity in m<sup>3</sup>/hour at static pressure of:

MODEL	10Pa	20Pa	40Pa
3000-VFG	2900	4100	5800

## Model 3000-VFG

Air inlet valve made of high quality polyurethane foam. Flangemodel with flange on the frontside for almost all cases. Divided air directions: upto 35% air enters only from the upper side; above 35% also from the bottomside. Also available with flange on the backside (3000-FG).

**Special large model for those cases where large ventilation capacities are required.**

*Also available with straight inner flap (3000-VFR)*

De Waterman 4  
5215 MX 's-Hertogenbosch, Holland  
P.O. Box 2064  
5260 CB Vught, Holland  
Phone: +31 (0)73-656 91 94  
Fax: +31 (0)73-656 69 33

