

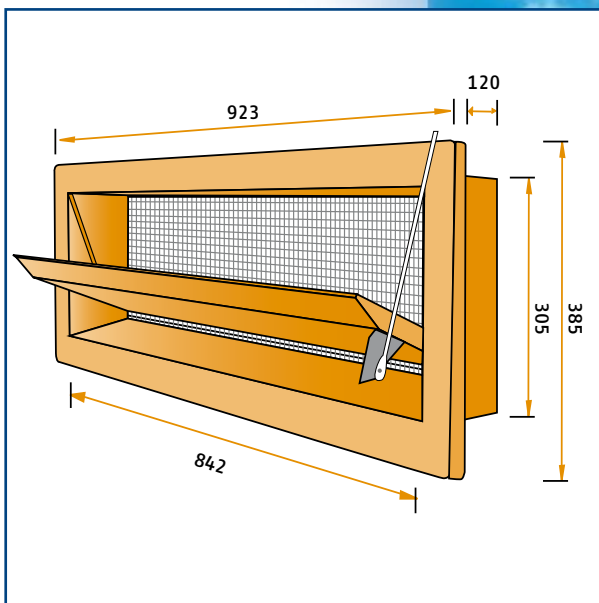
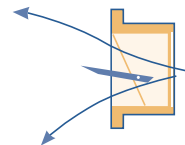
Model 2500-VFR

400123



Capacity in m³/hour at static pressure of:

MODEL	10Pa	20Pa	40Pa
2500-VFR	2500	3500	5000



Model 2500-VFR

Air inlet valve made of high quality polyurethane foam. Flangemodel with flange on the frontside. Divided air-directions; upto 30% air enters only from the upper side; above 30% also from the bottom side. Also available with flange on the backside (2500-FR).

Special simple model without seals and return spring for houses with necessary minimum ventilation and large ventilation capacities!

De Waterman 4
5215 MX 's-Hertogenbosch, Holland
P.O. Box 2064
5260 CB Vught, Holland
Phone: +31 (0)73-656 91 94
Fax: +31 (0)73-656 69 33