

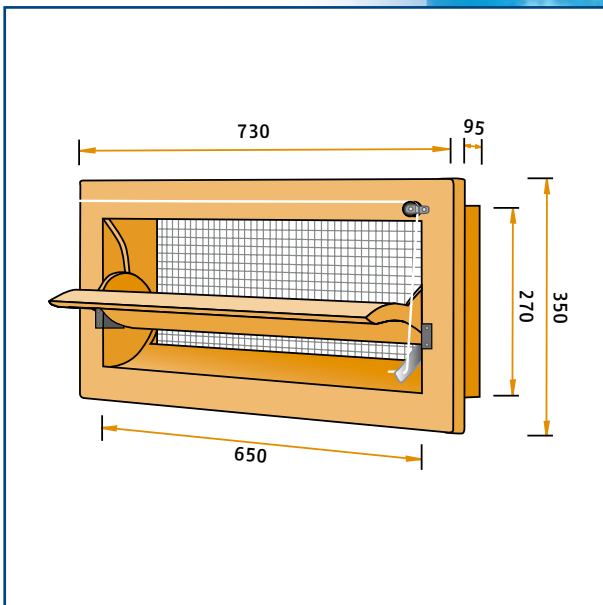
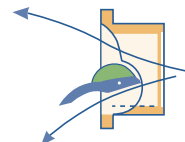
Model 145-VFG

400215



Capacity in m³/hour at static pressure of:

MODEL	10Pa	20Pa	40Pa
145-VFG	1450	2050	2900



Model 145-VFG

Air inlet valve made of high quality polyurethane foam. Flangemodel with flange on the frontside for almost all cases. Divided airdirections: upto 35% air enters only from the upper side; above 35% also from the bottomside. Also available with flange on the backside (145-FG), with straight inner flap (145-VFR) and with several depths of the frame (145-VFGV).

De Waterman 4
5215 MX 's-Hertogenbosch, Holland
P.O. Box 2064
5260 CB Vught, Holland
Phone: +31 (0)73-656 91 94
Fax: +31 (0)73-656 69 33