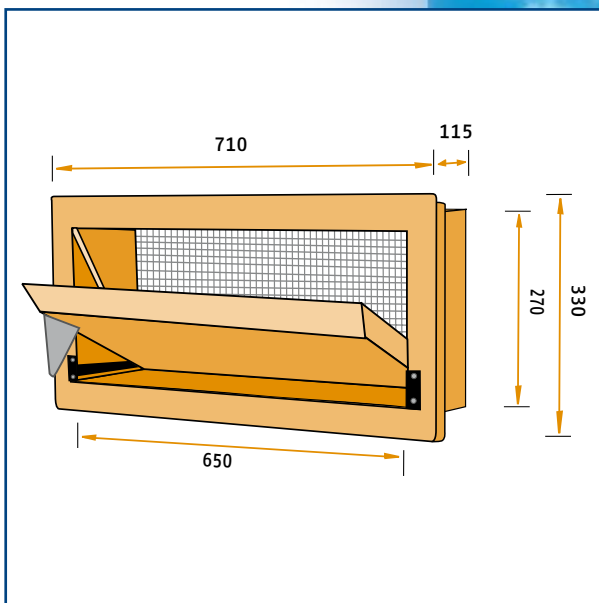
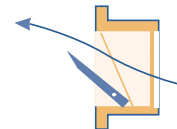


Capacity in m³/hour at static pressure of:

MODEL	10Pa	20Pa	40Pa
135-VFR	1450	2050	2900



Model 135-VFR

Air inlet valve made of high quality polyurethane foam. Flange model with flange on the front side. The straight inner flap has its turning point at the bottom; this makes this inlet very suitable for the minimum ventilation in a tunnel ventilation system in poultry houses. Also well suited for pig houses.

De Waterman 4
5215 MX 's-Hertogenbosch, Holland
P.O. Box 2064
5260 CB Vught, Holland
Phone: +31 (0)73-656 91 94
Fax: +31 (0)73-656 69 33