

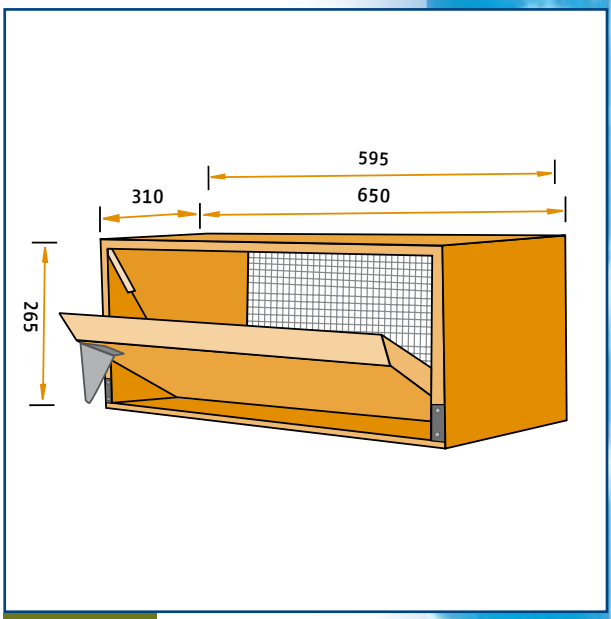
Model 135-ER

400105



Capacity in m³/hour at static pressure of:

MODEL	10Pa	20Pa	40Pa
135-ER	1450	2050	2900



Model 135-ER

Air inlet valve made of high quality polyurethane foam. Build-in model for double wall systems; depth 310 mm. The turning point of the straight flap is at the bottom of the inlet; no air is directed down. The inlet is executed with reinforcement profiles. Well suited for pighouses.

De Waterman 4
5215 MX 's-Hertogenbosch, Holland
P.O. Box 2064
5260 CB Vught, Holland
Phone: +31 (0)73-656 91 94
Fax: +31 (0)73-656 69 33

