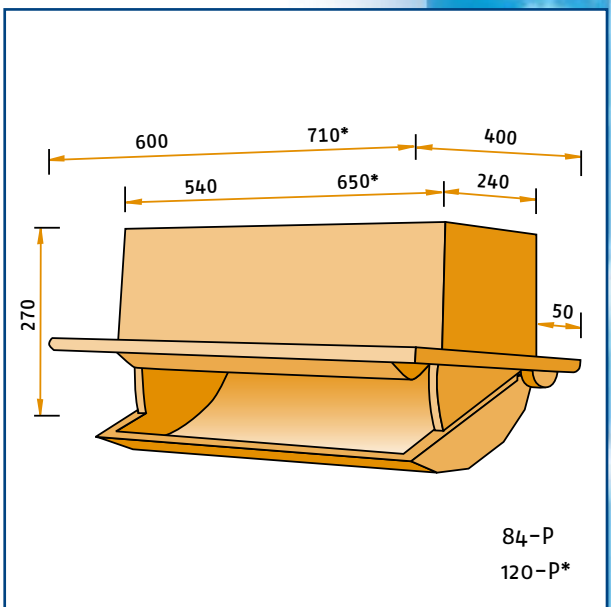


Capacity in m<sup>3</sup>/hour at static pressure of:

MODEL	10Pa	20Pa	40Pa
120-P	1100	1560	2200
84-P	760	1070	1520



### Model 120-P

Air inlet valve made of high quality polyurethane foam. Execution specially designed for installation in the ceiling.

Ideal concept for those cases where the air cannot or may not be taken directly from outside.

Also available in a small version (84-P).

De Waterman 4  
5215 MX 's-Hertogenbosch, Holland  
P.O. Box 2064  
5260 CB Vught, Holland  
Phone: +31 (0)73-656 91 94  
Fax: +31 (0)73-656 69 33